



## REFERENCES

- Alger, B.E., S.S. Dhanjal, R. Dingledine, J. Garthwaite, G. Henderson, G.L. King, P. Lipton, A. North, P.A. Schwartzkroin, T.A. Sears, M. Segal, T.S. Whittingham, and J. Williams, "Brain Slice Methods", in Brain Slice, R. Dingledine (ed.), appendix, pp. 318-432, Plenum Press, New York and London, 1984.
- Bak, I.J., U. Misgeld, M.I. Weiler, and E. Morgan, "The Preservation of Nerve Cells in Rat Neostriatal Slices Maintained In Vitro : A Morphological Study," Brain Res., 197, 341-353, 1980.
- Basile, A.S., and T.V. Dunwiddie, "Norepinephrine Elicits Both Excitation and Inhibition Responses from Purkinje Cells in In Vitro Rat Cerebellar Slice," Brain Res., 296, 15-25, 1984.
- Basile, A., B. Hoffer, and T. Dunwiddie, "Differential Sensitivity of Cerebellar Purkinje Neurons to Ethanol in Selectivity Outbred Lines of Mice : Maintenance In Vitro Independent of Synaptic Transmission," Brain Res., 264, 69-78, 1983.



- Bell, C.C., and R.J. Grimm, "Discharge Properties of Purkinje Cells Recorded on Single and Double Microelectrodes," J. Neurophysiol., 32, 1044-1055, 1969.
- Bingmann, K., and G. Klode, "PO2-Profiles in Hippocampal Slices of the Guinea Pig," Exp. Brain Res., 48, 89-96, 1982.
- Brown, D.A. and J. V. Halliwell, "Neuronal Responses from the Rat Interpeduncular Nucleus In Vitro," J. Physiol. (London), 292, 9-10P, 1979.
- Clouser, T.E., "Tissue Bath Improvements for the Oxford Vibratome," Stain Tech., 52(6), 319-322, 1977.
- Crawford, J.M., D.R. Curtis, P.E. Voorhoeve and V.J. Wilson, "Acetylcholine Sensitivity of Cerebellar Neurones in the Cat," J. Physiol. (London), 186, 139-165, 1966.
- Crepel, F., and S.S. Dhanjal, "Cholinergic Mechanisms and Neurotransmission in the Cerebellum of the Rat," Brain Res., 44, 59-68, 1981a.
- Crepel, F., and S.S. Dhanjal, "Sensitivity of Purkinje Cell Dendrites to Glutamate and Aspartate in Cerebellar Slices Maintain In Vitro," J. Physiol., 320, 54P, 1981b.



- Crepel, F., S.S. Dhanjal, and J. Garthwaite, "Morphological and Electrophysiological Characteristics of Rat Cerebellar Slices Maintained In Vitro," J. Physiol., 316, 127-138, 1981.
- Crepel, F., S.S. Dhanjal, and T.A. Sears, "Effect of Glutamate, Aspartate and Related Derivatives on Cerebellar Purkinje Cell Dendrites in the Rat : an In Vitro Study," J. Physiol., 329, 297-317, 1982.
- Crepel, F., Jean-Luc Dupont, and R. Gardette, "Selective Absence of Calcium Spike in Purkinje Cells of Stagger Mutant Mice in Cerebellar Slices Maintained In Vitro," J. Physiol., 346n 111-15, 1984.
- Cuello, A.C., and S. Carson, "Microdissection of Fresh Rat Brain Tissue Slices," in Brain Microdissection Techniques, A.C. Cuello (ed.), chap. 2, pp. 37-125, IBRO, 1983.
- Curtis, D.R. and G.A.R. Johnston, "Aminoacid Transmitters in the Mammalian Central Nervous System," Engelb. Physiol., 69, 97-188, 1974.
- Dingledine, R., J. Dodd, and J.S. Kelly, "The In Vitro Brain Slice as a Useful Neurophysiological Preparation for Intracellular Recording," J. Neurosci. Methods, 2, 323-362, 1980.



- Dore, C.F., and C.D. Richards, "An Improved Chamber for Maintaining Mammalian Brain Tissue Slices for Electrical Recording," J. Physiol. 239, 83-85P, 1974.
- Duffy, C.J., and T.J. Teyler, "A Simple Tissue Slicer," Physiol. Behav., 14(4), 55-56, 1975.
- Eccles, J.C., M. Ito, and J. Szentagothai, (eds.) "The Cerebellum as a Neuronal Machine," New York, Springer-Verlag, 1967.
- Eccles, J.C. (ed.), "Motor Control by the Cerebellum," in The Understanding of the Brain, pp 120-144, McGraw-Hill Book Company, New York, 1973.
- Elliott, K.A.C., "The Use of Brain Slices," in Handbook of Neurochemistry, A. Lajtha (ed.), chapter 6, vol. 2, 103-114, Plenum, New York, 1969.
- Flint, R.S., and W.J. McBride, "Assessment of some Transmitter Actions in Rat Cerebellar Slices," Life Sci., 38, 233-239, 1986.
- Franck, G., "Brain Slices," in The Structure and Function of Nervous Tissue, G.H. Bourne (ed.), vol. 6, pp. 417-465, Academic Press, New York, 1972.
- Fukuda, Y. and H.H. Loeschke, "Effect of H<sup>+</sup> on Spontaneous Neuronal Activity in the Surface Layer of the Rat Medulla Oblongata In Vitro," Pflugers Arch. Ges. Physiol., 371, 125-134, 1977.



Gahwiler, B.H., A.M. Mamoon, W.T. Schlapfer, and C.A. Tobias, "Effects of Temperature on Spontaneous Bioelectric Activity of Cultured Nerve Cells," Brain Res., 40, 527-533, 1972.

Gardette, R., M. Debono, Jean-Luc Dupont, and F. Crepel, "Electrophysiological Studies on the Postnatal Development of Intracerebellar Nuclei Neurons in Rat Cerebellar Slices Maintained In Vitro. I. Postsynaptic Potentials," Develop. Brain Res., 19, 47-55, 1985(a).

Gardette, R., M. Debono, J.L. Dupont, and F. Crepel, "Electrophysiological Studies on the Postnatal Development of Intracerebellar Nuclei Neurons in Rat Cerebellar Slices Maintained In Vitro. II. Membrane Conductances," Develop. Brain Res., 20, 97-106, 1985(b).

Gardner-Medwin, A.R., "Supernormality of Cerebellar Parallel Fibers : The Effects of Changes in Potassium Concentration In Vitro," Acta Physiol. Scand., 84, 38A-39A, 1972.

Garthwaite, J., P.L. Woodhams, M.J. Collins, and R. Balazs, "On the Preparation of Brain Slices : Morphology and Cyclic Nucleotides," Brain Res., 173, 373-377, 1979.



- Garthwaite, J., P.L. Woodhams, M.J. Collins and R. Balazs, "A Morphological Study of Incubated Slices of Rat Cerebellum in Relation to Postnatal Age," Dev. Neurosci. 3. 90-99. 1980.
- Garthwaite, G., and J. Garthwaite, "Sites of D-[3H] Aspartate Accumulation in Mouse Cerebellar Slices," Brain Res., 343, 129-136, 1985.
- Gibson, I.M., and H. McIlwain, "Continuous Recording of Changes in Membrane Potential in Mammalian Cerebral Tissue In Vitro : Recovery After Depolarization by Added Substances," J. Physiol., 176, 261-283, 1965.
- Haas , H.L., B. Schaerer and M. Vosmansky, "A Simple perfusion Chamber for the study of Nervous Tissue Slices In Vitro," J. Neurosci Methods, 1, 323-325, 1979.
- Harvey, J.A., and H. McIlwain, "Electrical Phenomena and Isolated Tissues from the Brain," in Handbook of Neurochemistry, A. Lajtha (ed.), chap. 7, vol. 2, Plenum, New York, 115-136, 1969.
- Hatton, G.I., A.D. Doran, A.K. Salm, and C.D. Tweedle, "Brain Slice Preparation : Hypothalamus," Brain Res. Bull., 5, 405-414, 1980.



- Hatton, G.I., "The Brain in Slices : New Approaches to Old Problems," Fed. Proc., 42(12), 2863-2864, 1983.
- Hatton, G.I., "Hypothalamic Neurobiology," in Brain Slices, R. Dingledine (ed.), pp. 341-374, Plenum Press, New York and London, 1984.
- Henderson, G., C.M. Pepper, and S.A. Shefner, "Electrophysiological Properties of Neurones Contained in the Locus Coeruleus and Mesencephalic Nucleus of the Trigeminal Nerve In Vitro," Exp. Brain Res., 45, 29-37, 1982.
- Hillman, H.H., and H. McIlwain, "Membrane Potentials in Mammalian Cerebral Tissue In Vitro : Dependence on Ionic Environment," J. Physiol., 157, 263, 1961.
- Hinrichsen, C.F.L., "Slice Preparation of Rat Medulla and Pons Maintained for Five Hours In Vitro," J. Neurobiol., 11(3), 265-219, 1985.
- Houngaard, J., and C. Nicholson, "Potassium Accumulation around Individual Purkinje Cells in Cerebellar Slices from the Guinea-Pig," J. Physiol., 340, 359-588, 1983.



Hubbard, J.I., "Instructions for Preparation, Mounting and Recording from Brain Slices," IBRO - Pan Asian Oceanic First Intensive Workshop on Basic Neuroscience, Bangkok, 17 Oct.-2 Nov., 1988.

X Ito, M., M. Sakurai, and P. Tongroach, "Climbing Fiber Induced Depression of Both Mossy Fibre Responsiveness and Glutamate Sensitivity of Cerebellar Purkinje Cells," J. Physiol., 34, 113-134, 1982.

Ito, M., "The Cerebellum and Neural Control," Raven Press, New York, 1984.

Jefferys, J.G.R., "The Vibroslice, a New Vibrating-blade Tissue Slicer," J. Physiol., 34, 2P, 1982.

Kitai, S.T. and H. Kita, "Electrophysiological Study of the Neostriatum in Brain Slice Preparation," in Brain Slice, R. Dingledine (ed.), appendix, pp. 285-296, Plenum Press, New York and London, 1984.

Koerner, J.F., and C.W. Cotman, "A Microperfusion Chamber for Brain Slice Pharmacology," J. Neurosci. Methods, 7, 43-251, 1983.

Krnjevic, K., and J.W. Phillis, "Iontophoretic Studies of Neurones in the Mammalian Cerebral Cortex," J. Physiol., 165, 274-304, 1963.



- Li, C.L., and H. McIlwain, "Maintenance of Resting Membrane Potentials in Slices of Mammalian Cerebral Cortex and other Tissue In Vitro," J. Physiol., 139, 178-190, 1957.
- Llinas, R., and M. Sugimori, "Electrophysiological Properties of In Vitro Purkinje Cell Sonata in Mammalian Cerebellar Slices," J. Physiol., 305, 171-195, 1980(a).
- Llinas, R., and M. Sugimori, "Electrophysiological Properties of In Vitro Purkinje Cell Dendrites in Mammalian Cerebellar Slices," J. Physiol., 305, 197-213, 1980(b).
- Majno, G. and W.E. Bunker, "Preparation of Tissue Slices for Metabolic Studies : A Hand-Microtome Especially Suitable for Brain," J. Neurochem., 2, 11-14, 1957.
- McIlwain, H., and S. Ochs, and R.W. Gerard, " Absence of Electrical Responses of Brain Slices on In Vitro Stimulation," Amer. J. Physiol., 171, 18-133, 1952.
- McIlwain, H., and H.L. Buddle, " Techniques in Tissue Metabolism. 1. A Mechanical Chopper," Biochemical J., 53, 412-40, 1953.



- McIlwain, H. (ed.), "Preparing Neural Tissues for Metabolic Study in Isolation," in Practical Neurochemistry, 1<sup>st</sup> ed., pp. 105-132, Churchill Livingstone, London, 1962.
- Miller, J.J. and D.P. Rutherford, "Electrical Activity in the In Vitro Caudate Preparation," Neurosci. Abstr., 4, 47, 1978.
- Nicholson, C., G. ten Bruggencate, H. Stockle, and R. Steinberg, "Calcium and Potassium Changes in Extracellular Microenvironment of Cat Cerebellar Cortex," J. Neurophysiol., 41, 1026-1039, 1978.
- Nicholson, C., and J. Hounsgaard, "Diffusion in the Slice Microenvironment and Implications for Physiological Studies," Fed. Proc., 42(12), 2865-2868, 1983.
- Nicoll, R.A., and B.E. Alger, "A Simple Chamber for Recording from Submerged Brain Slices," J. Neurosci. Methods, 4, 153-156, 1981.
- Ogata, N., "Substance P Causes Direct Depolarization of Neurones of Guinea-Pig Interpeduncular Nucleus In Vitro," Nature (London), 277, 480-481, 1979.



Okamoto, K., and J.H. Quastel, "Spontaneous Action Potentials in Isolated Guinea-pig Cerebellar Slices : Effects of Amino Acids and Conditions Affecting Sodium and Water Uptake, " Proc. R. Soc. Lond. B., 184, 83-90, 1973.

Okamoto, K., and J.H. Quastel, "Effects of Amino Acids and Convulsants on Spontaneous Action Potentials in Cerebellar Cortex Slices," Br. J. Pharmac., 57, 3-15, 1976.

Okamoto, K., D.M.J. Quastel, and J.H. Quastel, "Action of Amino Acids and Convulsants on Cerebellar Spontaneous Action Potential In Vitro : Effects of Deprivation of Cl<sup>-</sup>, K<sup>+</sup> or Na<sup>+</sup>," Brain Res., 113, 147-158, 1976.

Okamoto, K. and Y. Sakai, "Inhibitory Actions of Taurocyamine, Hypotaurine, Taurine and GABA on Spike Discharges of Purkinje Cells, and Localization of Sensitivities Sites, in Guinea Pig Cerebellar Slices," Brain Res., 206, 371-386, 1981

Pittman, Q.J., J.D. Hatton, and F.E. Bloom, "Spontaneous Activity in Perfused Hypothalamic Slices : Dependence on Calcium Content of Perfusate, : Exp. Brain Res., 4, 49-5. 1981.



Richards, C.D., and R. Sercombe, "Calcium, Magnesium and the Electrical Activity of Guinea-Pig Olfactory Cortex In Vitro," J. Physiol. (Lond.), 211, 571-584, 1968.

Richards, C.D., and W.J.B. Tegg, "A Superfusion Chamber Suitable for Maintaining Mammalian Brain Tissue Slices for Electrical Recording," Brit. J. Pharmacol., 59, 526P, 1977.

Richards, C.D., "The Preparation of Brain Tissue Slices for Electrophysiological Studies," in Electrophysiology of Isolated Mammalian CNS Preparations, Kerkut, G.A. and H.V. Wheal (eds.), pp. , London, Academic, 1981.

Sakurai, M., "Synaptic Modification of Parallel Fibre-Purkinje Cell Transmission in In Vitro Guinea-pig Cerebellar Slices," J. Physiol., 394, 463-480, 1987.

Saguanrungsirikul, S., "Iontophoretic Study of Angiotensin II on Cerebellar Purkinje Cells of the Rat," Master's thesis, Inter-Department of Physiology, Graduate School, Chulalongkorn University, 1983.



- Schiff, S.S. and G.G. Somjen, "The Effects of Temperature on Synaptic Transmission in Hippocampal Tissue Slices," Brain Res., 345, 279-284, 1985.
- Schlapfer, W.T., Abdel-Megid Mamoon, and C.A. Tobias, "Spontaneous Bioelectric Activity of Neurons in Cerebellar Cultures : Evidence for Synaptic Interactions," Brain Res., 45, 345-363, 1972.
- Schurr, A., K.H. Reid, M.T. Tseng, H.L. Edmonds, Jr., and B.M. Rigor, "A Dual Chamber for Comparative Studies Using the Brain Slice Preparation," Comp. Biochem. Physiol., 82A(3), 701-704, 1985.
- Schwartzkroin, P.A., "Characteristics of CA1 Neurons Recorded Intracellularly in the Hippocampal In Vitro Slice Preparation," Brain Res., 85, 423-436, 1975.
- Schwartzkroin, P.A., "To Slice or Not to Slice," in Electrophysiology of Isolated Mammalian CNS Preparations, Kerkut, G.A. and H.V. Wheal (eds.), pp. 15-50, Academic, London, 1981.
- Sekiguchi, M., K. Okamoto, and Y. Sakai, "Release of Endogenous Aspartate and Glutamate Induced by Electrical Stimulation in Guinea Pig Cerebellar Slices," Brain Res., 378, 174-178, 1986.



Sibbald, J.R., N.E. Sirett, and J.I. Hubbard, "The Influence of the Estrous Cycle, Persistent Estrus, , Ovariectomy and Estrogen Replacement, on the Number and Frequency of Spontaneously Active Neurons in Slices of the Rat Preoptic Region In Vitro, Neurosci. Lett., 76, 323-328, 1987.

Simmonds, M.A. and H. Pickles, "Presynaptic Action of GABA in Isolated Slices of Cuneate Nucleus and Olfactory Cortex," in Iontophoresis and Transmitter Mechanisms in the Mammalian Central Nervous System, R.W. Ryall and J.S. Kelly (eds.), Elsevier/North-Holland, Amsterdam, 1978.

Smith, R.E., "Comparative Evaluation of Two Instrument and Procedures to Cut Nonfrozen Sections," J. Histochem. Cytochem., 18, 590-591, 1970.

Snider, R.S., S. Teramoto and J.T. Ban, "Activity of Purkinje and Basket Cells in Chronically Isolated Cerebellar Folia," Exp. Neurol., 19, 443-454, 1967.

Spencer, H.J., V.K. Gribkoff, C.W. Cotman, and G. Lynch, "GDEE Antagonism of Iontophoretic Amino Acid Excitation in the Intact Hippocampus and in the Hippocampal Slice Preparation," Brain Res., 105, 471-481, 1976.



Stone, T.W., "Glutamate as the Neurotransmitter of Cerebellar Granule Cells in the Rat : Electrophysiological Evidence," Br. J. Pharmac., 66, 291-296, 1979.

Sutthisunk, Y., "Role of Angiotensin II in Rat Cerebellum," Master's thesis, Inter-Department of Physiology, Graduate School, Chulalongkorn University, 1987.

Takahashi, T. "Intracellular Recording from Visually Identified Motoneurons in Rat Spinal Cord Slices," Proc. Roy. Soc. B., 202, 417-421, 1978.

Taepavarapruk, N., and P. Tongroach, "Development of Brain Slice Preparation : Cerebellar Slice," XVII Annual Meeting, The Physiological Society (Thailand), p11, Chulalongkorn University, Bangkok, 1988.

Teyler, T.J., "Brain Slice Preparation : Hippocampus," Brain Res. Bull., 5, 391-403, 1980.

Tongroach, P., S. Saganrungsirikul, B. Tantisira and P. Kunluan, "Angiotensin II-Induced Depression of Purkinje Cell Firing and Possible Modulatory Action on GABA Responses," Neurosci. Res., 1, 369-372, 1984.



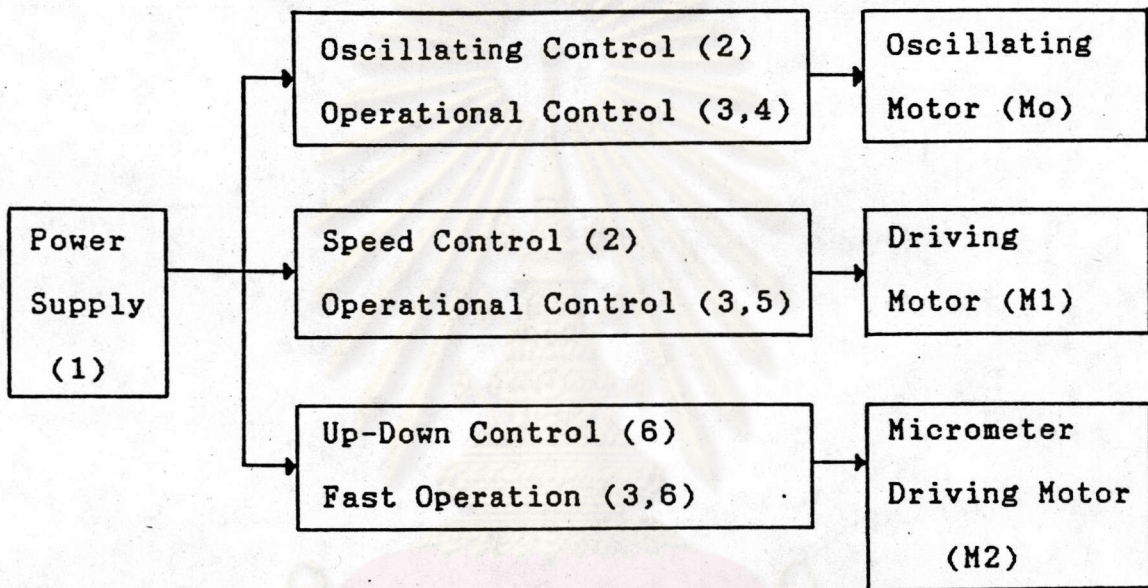
- Tongroach, P., "Microiontophoretic Techniques," IBRO - Pan Asian Oceanic First Intensive Workshop on Basic Neuroscience, Bangkok, 17 Oct.-2 Nov., 1988.
- White, W.F., J.V. Nadler, and C.W. Cotman, "A Perfusion Chamber for the Study of CNS Physiology and Pharmacology In Vitro," Brain Res., 152, 591-596, 1978.
- Yamamoto, C., and H. McIlwain, "Electrical Activities in Thin Sections from the Mammalian Brain Maintained in Chemically-defined Media In Vitro," J. Neurochem., 13, 1333-1343, 1966.
- Yamamoto, C., "Activation of Hippocampal Neurons by Mossy Fiber Stimulation in Thin Brain Slice In Vitro," Exp. Brain Res., 14, 423-435, 1972.
- Yamamoto, C., "Electrical Activity Observed In Vitro in Thin Sections from Guinea-Pig Cerebellum," Jap. J. Physiol., 24, 177-188, 1973.
- Yamamoto, C., "Electrical Activity Recorded from Thin Sections of the Lateral Geniculate Body, and the Effects of 5-Hydroxytryptamine," Exp. Brain Res., 19, 271-281, 1974.
- Yamamoto, C., H. Yamashita, and T. Chujo, "Inhibitory Action of Glutamic Acid on Cerebellar Interneurones," Nature, 262, 786-787, 1976.



## APPENDIX A

### WIRING DIAGRAM OF OSCILLOTOME

#### 1. Block diagram of Oscillotome



ศูนย์วิทยทรัพยากร  
จุฬาลงกรณ์มหาวิทยาลัย



## 2. DC Power Supply Circuit.

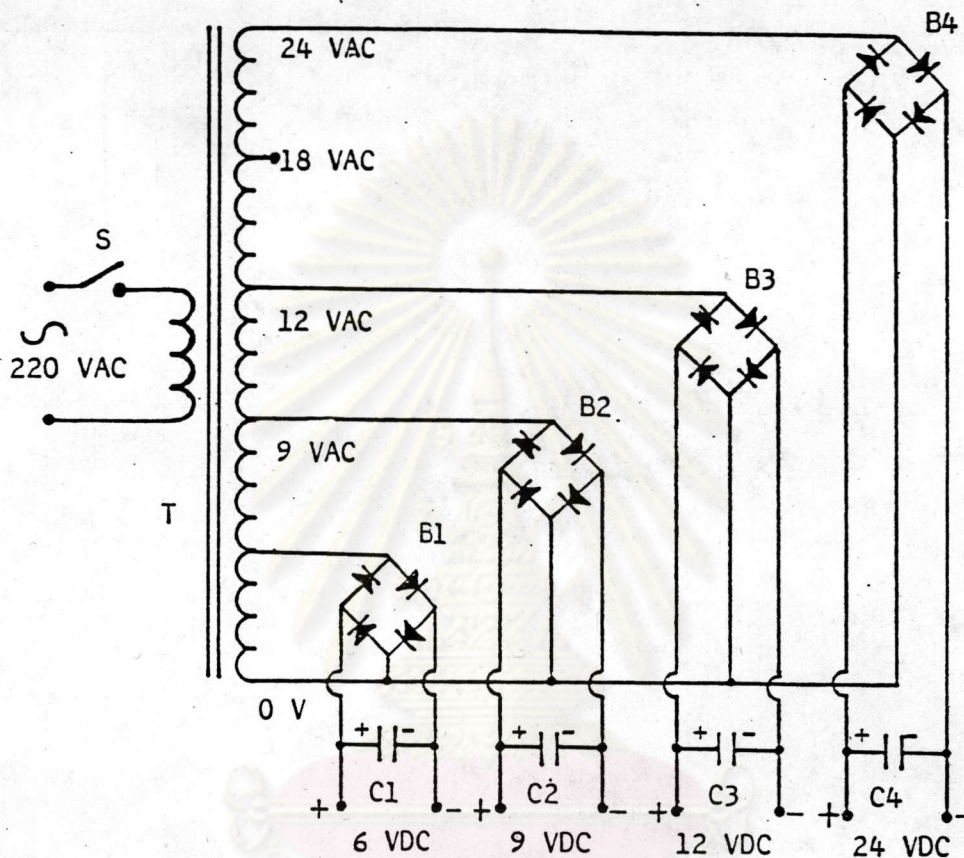


Fig. 23. Circuit diagram of main DC power supply consists of a step-down transformer and rectifier circuit. S = a power switch; T = a transformer; VAC = Volt AC; VDC = Volt DC; B<sub>1</sub>-B<sub>4</sub> = bridge rectify circuits consisted of four diodes (1N4001x4), electrolytic capacitors (C<sub>1</sub> = 1200 uF, 10 V; C<sub>2</sub> = 100 uF, 16 V; C<sub>3</sub> = 1000 uF, 25 V; C<sub>4</sub> = 100 uF, 35 V).





### 3. DC Regulated Circuit.

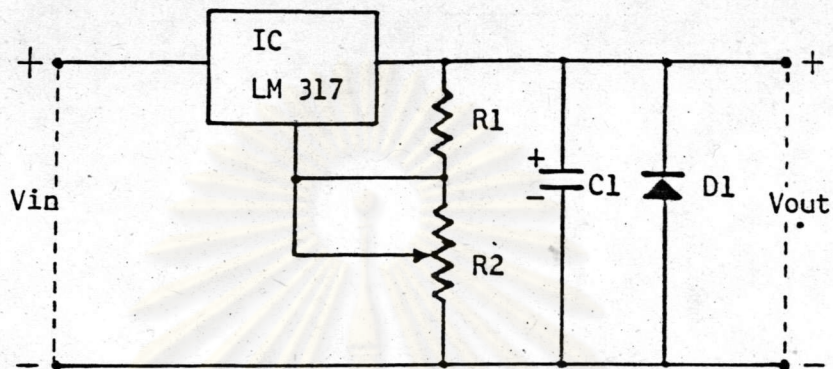


Fig. 24. DC regulated circuit provides a controllable voltage ( $V_{out}$ ) for supplying to the oscillating motor  $M_o$  ( $V_{in} = 9$  VDC;  $V_{out} = 0-9$  VDC) and the driving motor  $M_1$  ( $V_{in} = 12$  VDC;  $V_{out} = 0-12$  VDC). ( $V_{in}$  = input DC voltage;  $R_1 = 390$  Ohm;  $C_1 = 1$   $\mu$ F, 50 V;  $D_1 = 1N4001$ ;  $R_2 =$  variable 5 kOhm, type B).

ศูนย์วิทยุโทรพยากร  
จุฬาลงกรณ์มหาวิทยาลัย



## 4. Control Circuit of Relay 1, 2 and 3 (Ry1, Ry2 and Ry3).

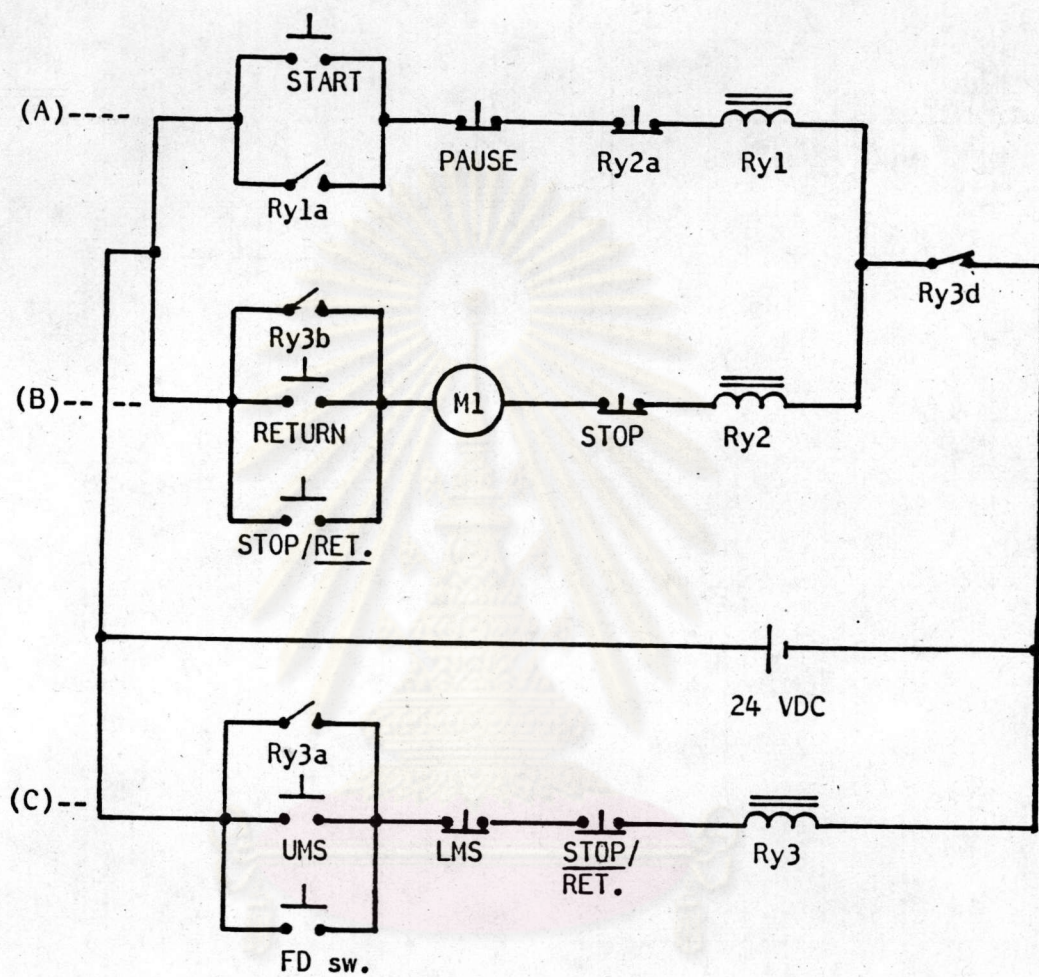


Fig. 25. Control circuit of three relay switches consists of 3 parts; part A for Ry1, part B for Ry2 and part B for Ry3.



5. Control Circuit of Oscillating Motor (Mo).

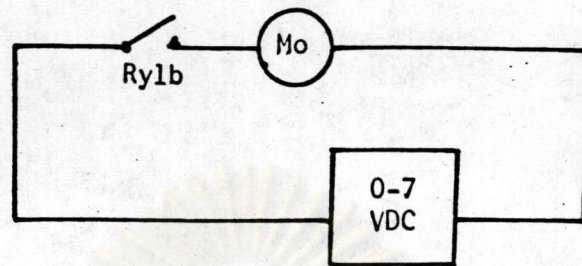


Fig. 26. Control circuit of the oscillating motor Mo. Oscillation of the motor Mo is controlled by the NO switch Ry1b and supplying voltage (0-7 VDC).

6. Control Circuit of Driving Motor (M1).

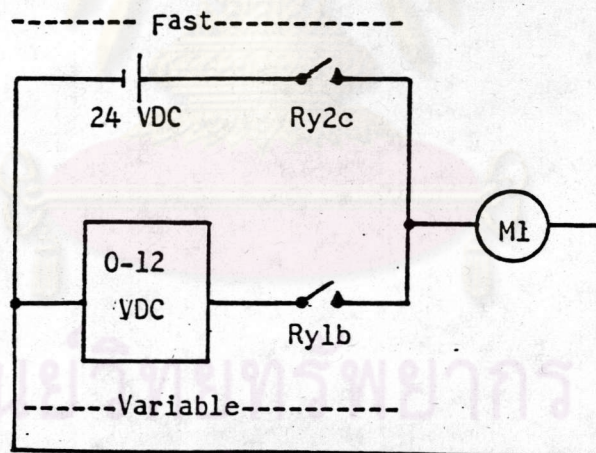


Fig. 27. Control circuit of the driving motor M1. The motor M1 is supplied alternately between two different voltage, 24 VDC and 0-7 VDC according to the timing of which relay switch (Ry1 or Ry2) is working.



## 7. Control Circuit of Micrometer Driving Motor (M2).

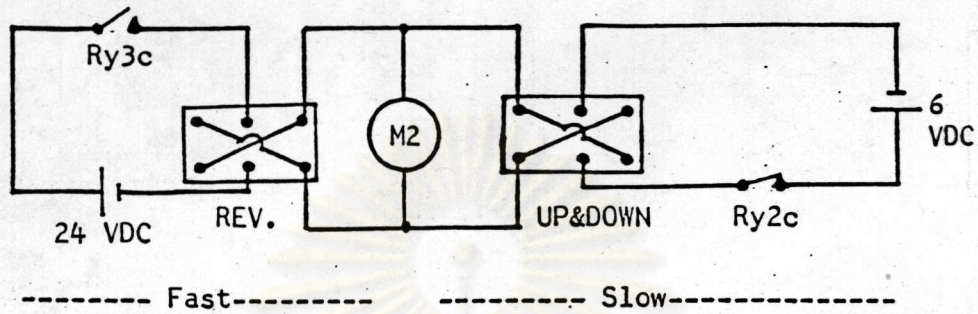


Fig. 28. Control circuit of the micrometer driving motor M2. This motor is also supplied alternately between 6 VDC and 24 VDC. These voltages can be reversed their polarity with using the ON-OFF-ON tiltable switches 'REV.' and 'UP&DOWN'.

ศูนย์วิทยทรัพยากร  
จุฬาลงกรณ์มหาวิทยาลัย




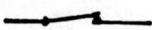



## APPENDIX B

### ABBREVIATIONS AND SYMBOLS

#### 1. Mechanical Relay Switches.

Ry1, Ry2, Ry3 = mechanical relay switches (Ry) 1, 2 and 3

	= electro-magnet
	= normally closed (NC) switch
	= normally opened (NO) switch

#### 2. Microswitches.

START = an NO microswitch of the 'START' switch.

RETURN = an NO microswitch of the 'RETURN' switch.

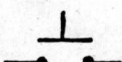
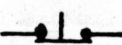
STOP/RET = a twin microswitch composed of NO microswitch (RET) used to stop oscillation and bring the oscillator carriage back to the starting position, and NC microswitch (STOP) used to stop fast motion of the tissue stage.

STOP = an NC microswitch for termination of the moving carriage.

PAUSE = an NC microswitch of the 'PAUSE' switch.

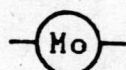
UMS = an NO microswitch used for limiting upper level of the micro-position.

LMS = an NO microswitch for setting lower limit of movement of micrometer.

	= a symbol of the NO microswitch
	= a symbol of the NC microswitch



## 3. DC Motors.



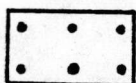
= a oscillating motor.

= a driving motor of the oscillator  
moving carriage (MC).

= a micrometer driving motor.

## 4. Tilttable Switches.

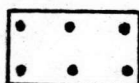
UP&amp;DOWN



= a two way selector switch (ON-OFF-ON)

used for fine control of the direction of  
the tissue stage.

REV.



= 'REVERSE', an one-way tilttable switch

(ON-ON) used for control fast downward motion  
of tissue stage.

ศูนย์วิทยทรัพยากร  
จุฬาลงกรณ์มหาวิทยาลัย





### VITA

Mr. Niwat Taepavarapruk was born on March, 14<sup>th</sup> 1965, at Nakornrajaseema. He graduated Bachelor of Science in Physical Therapy from school of Physical Therapy, Faculty of Medicine Siriraj Hospital, Mahidol University in 1984.

ศูนย์วิทยทรัพยากร  
จุฬาลงกรณ์มหาวิทยาลัย